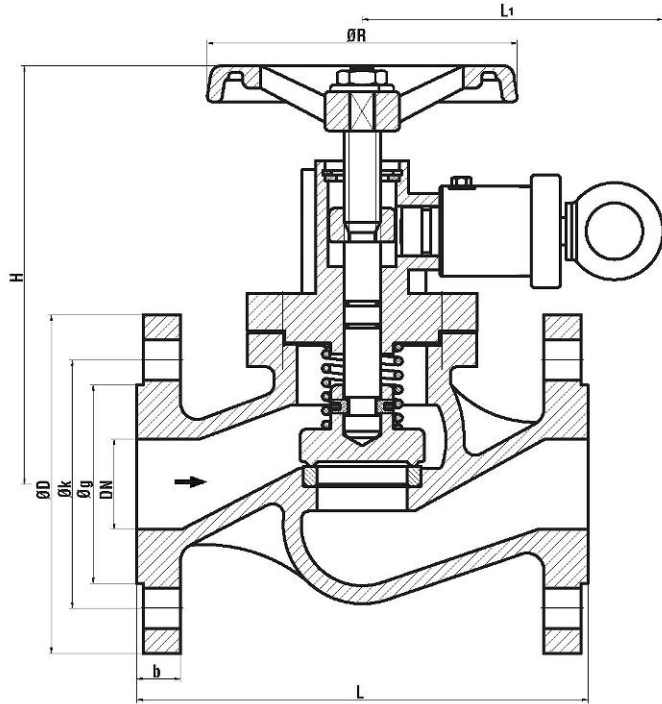


Ani Kapama Vanası (Düz Tip) (BV,TL,RMRS Tip Onaylı) Quick Closing Valve (Straight Type) (BV,TL,RMRS Type Approved)



| NO | PARÇA ADI | PART NAME | MATERIAL |
|----|-----------------|---------------|----------------|
| 1 | GOVDE | BODY | GGG40.3 |
| 2 | SİT | SEAT | X20Cr13 / 304 |
| 3 | KAPAK | BONNET | GGG40.3 |
| 4 | MİL | STEM | X20Cr13 / 304 |
| 5 | O-RİNG | O-RING | VITON |
| 6 | GÖSTERGE SOMUNU | INDICATOR NUT | X20Cr13 / Ms58 |
| 7 | YAY | SPRING | SPRING STEEL C |
| 8 | KLAPE | DISC | X20Cr13 / 304 |
| 9 | SETSKUR | SCREW | 304 |

| NO | PARÇA ADI | PART NAME | MATERIAL |
|----|-----------------|---------------|----------------|
| 10 | PUL | WASHER | ST37 |
| 11 | EMNİYET SEGMANI | SECURITY RING | SPRING STEEL |
| 12 | CONTA | GASKET | KLINGERIT |
| 13 | CIVATA | BOLT | 8.8 STEEL |
| 14 | HENDİL | HANDWHEEL | GG25 |
| 15 | SOMUN & PUL | NUT & WASHER | STEEL |
| 16 | ACTİVATOR | ACTUATOR | X20Cr13 / Ms58 |
| 17 | SETSKUR | SCREW | 304 |
| 18 | PİM | PIN | 304 |

| DN | ØD | Øk | Øg | L | b | ØR | H | L1 | STROK | Ødxn | KG |
|-----|-----|-----|-----|-----|----|-----|-----|-----|-------|------|------|
| 15 | 95 | 65 | 45 | 130 | 14 | 110 | 160 | 134 | 9 | 14x4 | 4,5 |
| 20 | 105 | 75 | 58 | 150 | 16 | 110 | 160 | 134 | 9 | 14x4 | 5,4 |
| 25 | 115 | 85 | 68 | 160 | 16 | 110 | 165 | 134 | 12 | 14x4 | 6 |
| 32 | 140 | 100 | 78 | 180 | 18 | 140 | 170 | 134 | 13 | 18x4 | 8,4 |
| 40 | 150 | 110 | 88 | 200 | 18 | 140 | 185 | 134 | 15 | 18x4 | 10,4 |
| 50 | 165 | 125 | 102 | 230 | 20 | 160 | 190 | 136 | 20 | 18x4 | 15 |
| 65 | 185 | 145 | 122 | 290 | 20 | 160 | 205 | 136 | 22 | 18x4 | 20 |
| 80 | 200 | 160 | 138 | 310 | 22 | 200 | 250 | 136 | 25 | 18x8 | 23 |
| 100 | 220 | 180 | 158 | 350 | 24 | 220 | 270 | 136 | 30 | 18x8 | 36 |
| 125 | 250 | 210 | 188 | 400 | 26 | 220 | 315 | 160 | 34 | 18x8 | 55 |
| 150 | 285 | 240 | 212 | 480 | 26 | 220 | 360 | 160 | 42 | 18x8 | 74 |

UYGULAMA ALANLARI / APPLICATIONS

YAĞ VE DİZEL SİSTEMLERDE/ OIL AND FUEL SYSTEMS

ÇALIŞMA ŞARTLARI / WORKING CONDITIONS: DIN 2401

BAĞLANTILAR / ENDS: DIN 2501

VANA BOYUTLARI / VALVE DIMENSIONS: DIN 3202-F1

ÇALIŞMA SICAKLIĞI / WORKING TEMP. : -10°C / 220°C

ÇALIŞMA BASINCI / WORKING PRESSURE: PN16

FACE TO FACE DIMENSIONS TS EN 558-1